

**FOR TIPPING TRUCKS AND
LIGHT COMMERCIAL TRAILERS**

PART: 46402



Perfect for:

Tipping trucks and light commercial trailers that have a large or long deck requiring a steep tipping angle.

Features:

- › Wired umbilical controller
- › 2 x wireless key fob controls
- › Hardened chromed tubes
- › Easy to service
- › Steel stop faces
- › Displacement cylinder
- › Polyurethane high pressure seals
- › Operating pressure of 160 bar, 2300psi
- › Wiper-scraper seals

Kit contents:

- › Power Pack DC12V, 2.2KW, 2.7CC/R
- › Wired controller
- › 2 x wireless remote controllers
- › Ram 4 Stage, 1500mm Bottom Trunnion Mount 8T
- › 2 x Galvanized Deck Pads
- › Top Pin Kit for Ram
- › Ram Support Bracket
- › 2 x Top Mount for Ram

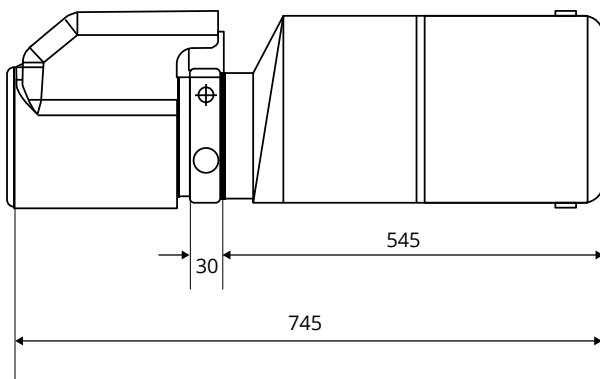
GET IN TOUCH

0800 653 246
treadway.co.nz

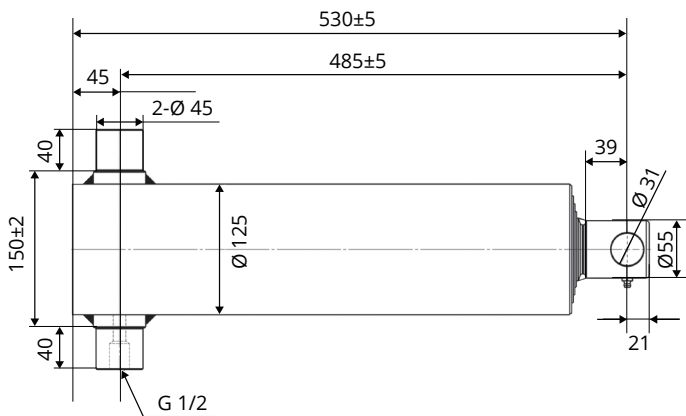
Dimensions, Specifications and Kit contents

PART: 46402

POWER PACK



BOTTOM TRUNNION MOUNT



Kit contents:

- › Power Pack DC12V, 2.2KW, 2.7CC/R
- › Wired controller
- › 2 x wireless remote controllers
- › Ram 4 Stage, 1500mm Bottom Trunnion Mount 8T
- › 2 x Galvanized Deck Pads
- › Top Pin Kit for Ram
- › Ram Support Bracket
- › 2 x Top Mount for Ram

Specifications:

Load capacity	8000kg			
Operating pressure	160 bar, 2300psi			
Stroke length	1500mm			
Oil tank	12L			
Stages	4			
Cylinder Dimensions (external)	110	95	80	65
Rod Dimensions	105	90	75	60
Part	46402			



100% NZ FAMILY OWNED AND OPERATED

We've been in business for over 40 years. In that time we have come to supply some of NZ's major trailer and farm equipment manufactures with Trailer Kits & Parts, Wheels, Rims and Tyres.

GET IN TOUCH

0800 653 246
treadway.co.nz